

# Kidde Fire Systems

## Natura™ Inert Gas System

### Component Description



Effective: April 2022  
K-38-2110 Rev AD

## Release Unit

### FEATURES

- For Approvals, see the “COMPATIBILITY” table.
- REACH and RoHS compliant

### DESCRIPTION

Release units connect to the gauge port of the primary cylinder and are used to release the agent to the piping system. Release units can be electric operated only or manual/electric. Depending on the control panel needs, release units can be purchased with pressure gauges using normally open or normally closed contacts (when under pressure). Release units that include manual operation have a tamper proof seal on the operation pin. Replacement seals are included in the Release Unit Service kit, P/N: 38-400001-010.

### SPECIFICATIONS

Nominal Working Pressure: 300 bar (4350 psi)

Max Working Pressure at 50°C (122°F):

366 bar (5307 psi)

Weight: 1.8 kg (3.97 lbs)

Switch:

Voltage: 4.5-24 VDC

Current: 5-100mA, Contact Load 2.4W max

Operating Voltage: 24 VDC 18W

Current Draw: 0.75 Amps

Gauge:

St. St. Casing

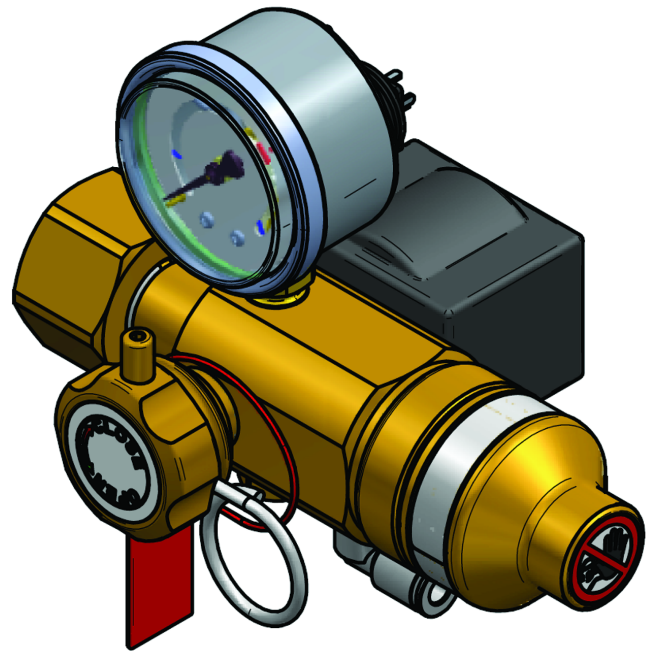
Accuracy Class 1.6 in

Scale: IP 65

Temp Range:

FM Approved / UL Listed: -4° to 130°F (-20° to 54°C)\*

\*Unless superseded by local/national standards

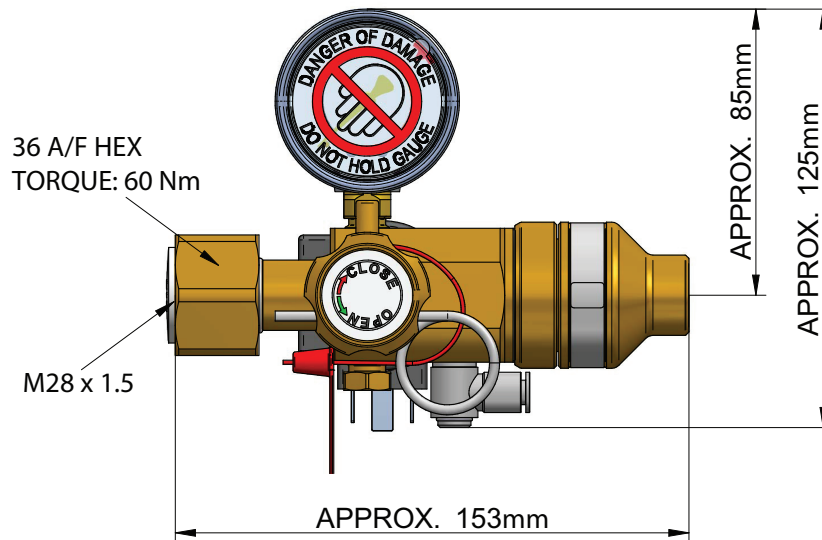


### ORDERING INFORMATION

Part Number	Pressure Rating	Operation	Contact
38-400001-001	200 Bar	Manual/ Electric	Normally Open
38-400001-003	300 Bar	Manual/ Electric	Normally Open

\*Not for use on for FM Approved and UL Listed systems, for LPCB Listed systems only

## DIMENSIONS



## COMPATIBILITY

Series	DIOM P/N	Approvals*
Natura™ Inert Gas System	06-237619-001	FM, UL
Natura™ Inert Gas System	06-237598-001	LPCB
* For additional listings, contact Kidde Fire Systems		

### EXPORT INFORMATION (USA)

Jurisdiction: EAR  
Classification: EAR99

This document contains technical data subject to the EAR.

KIDDE is a registered trademark of Kidde-Fenwal, Inc., or its parents, subsidiaries or affiliates.

This literature is provided for informational purposes only. KIDDE-FENWAL, INC. believes this data to be accurate, but it is published and presented without any guarantee or warranty whatsoever. KIDDE-FENWAL, INC. assumes no responsibility for the product's suitability for a particular application. Product features specified are only applicable when the fire suppression system is correctly designed, installed, maintained and serviced by trained, authorized Kidde Fire Systems distributors as per the applicable design, installation, operation, and maintenance manuals. If you need more information on this product, or if you have a particular problem or question, contact: KIDDE-FENWAL, INC., Ashland, MA 01721 USA, Telephone: (508) 881-2000.